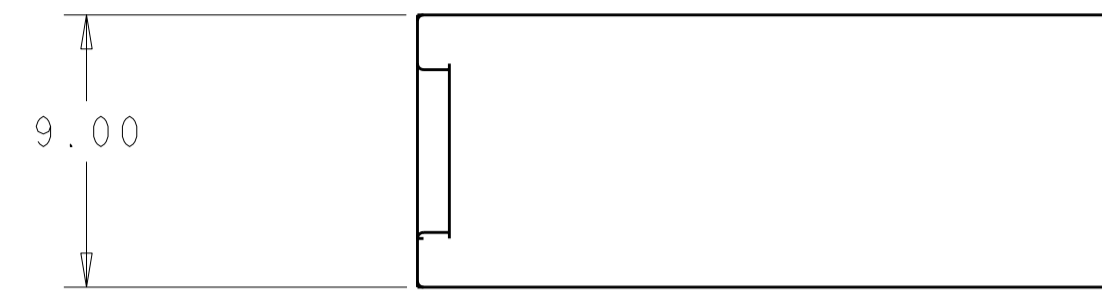
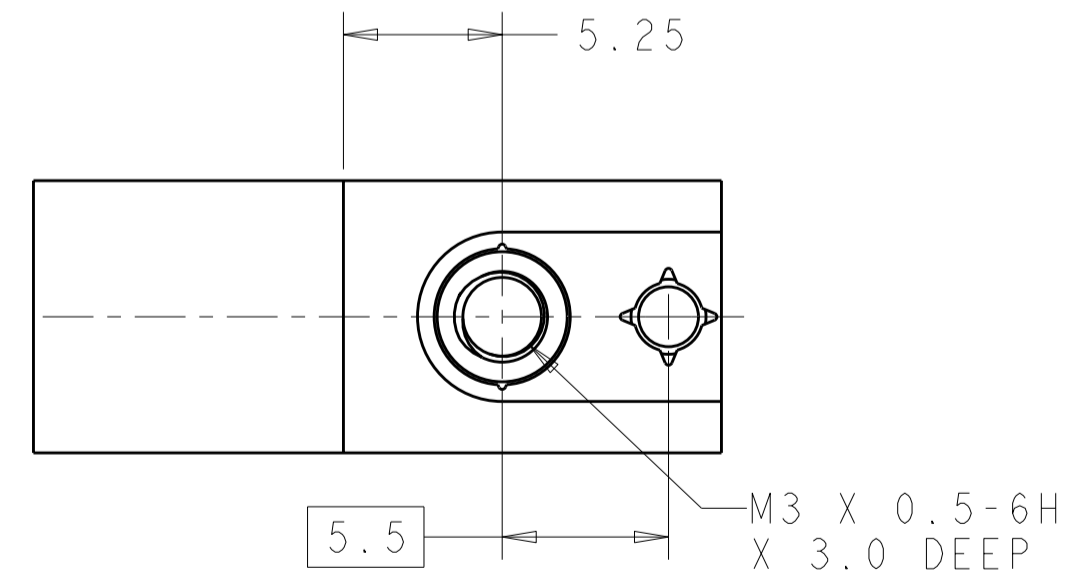
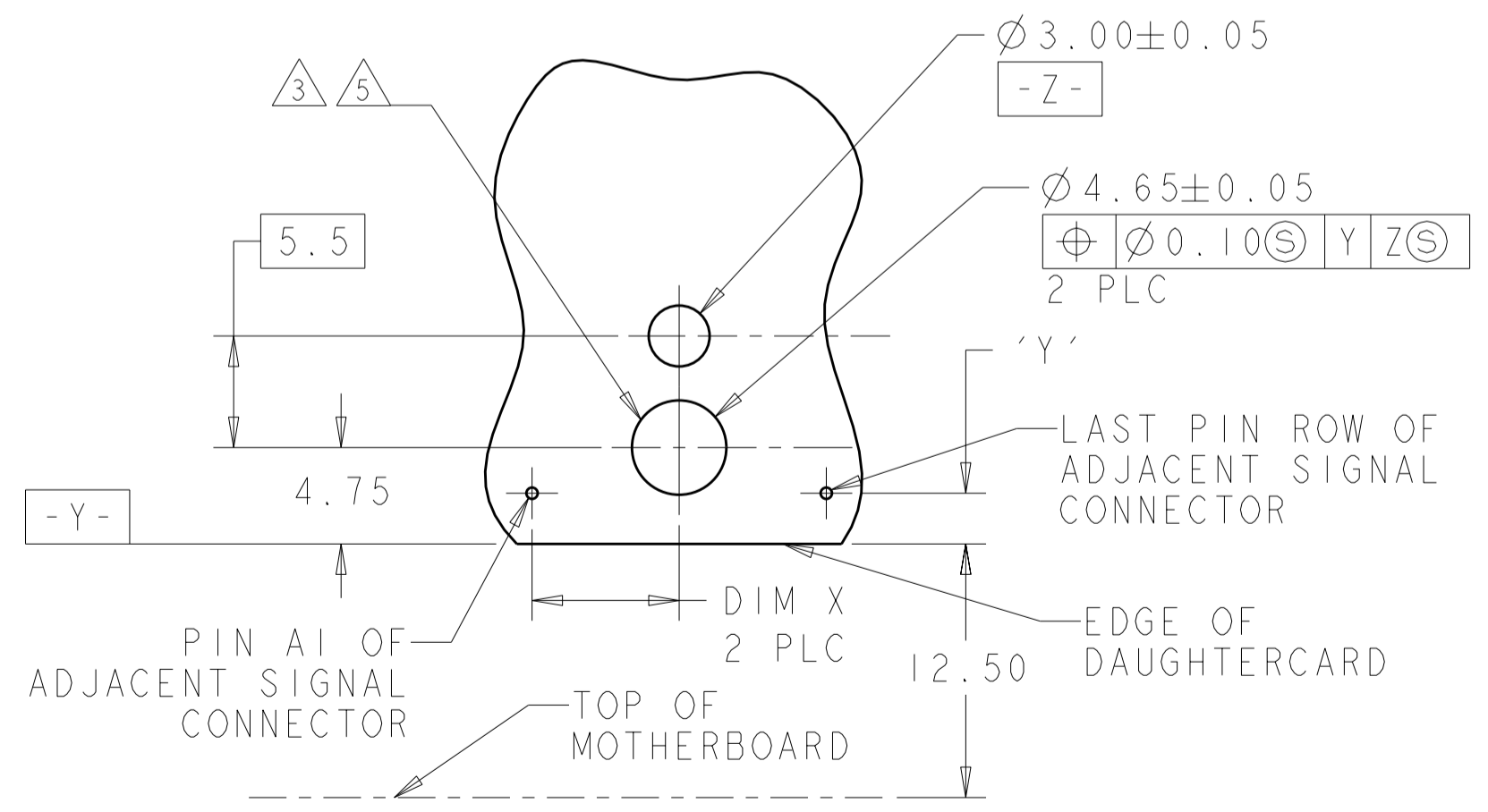
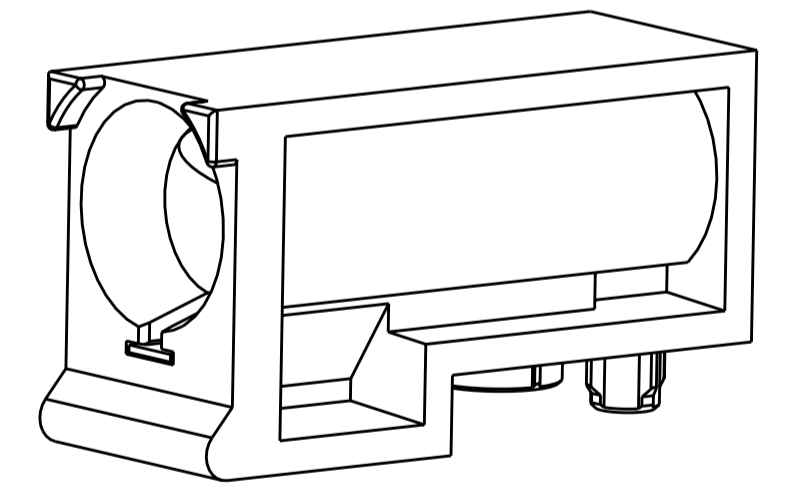
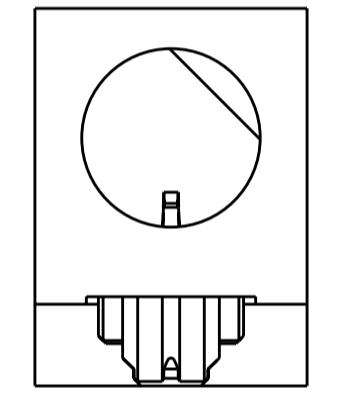
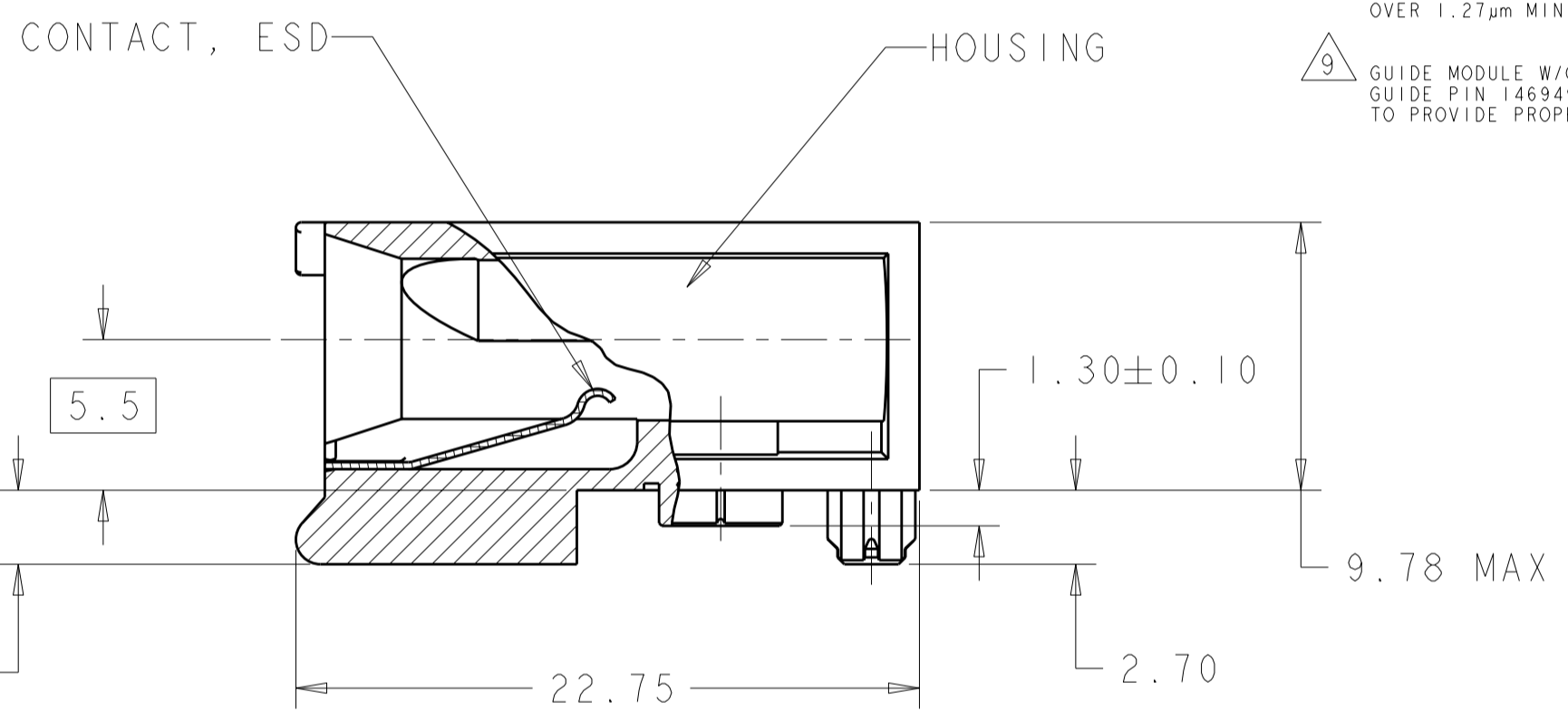
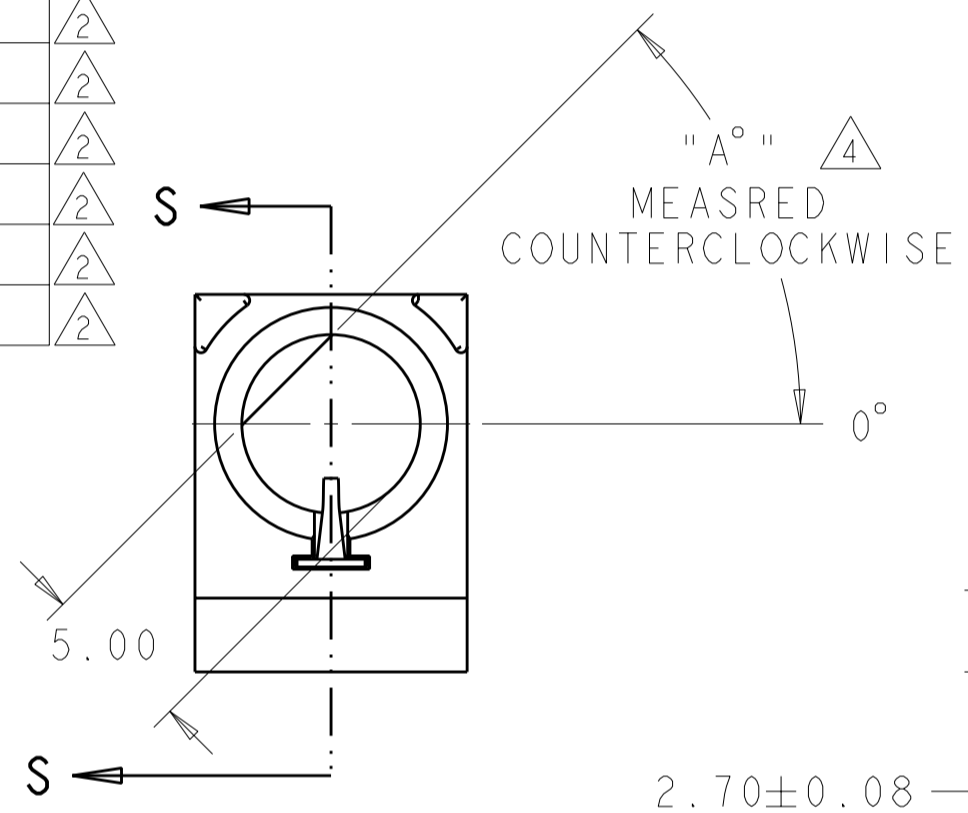


LOC	DIST	REVISIONS			
P	LTR	DESCRIPTION	DATE	DWN	APVD
AD	00	B1	REV PER ECO-08-0196888	29FEB2008	BC GG

PART NO.	"A" °	HOUSING	CONTACT
1469492-1	0°	-	7 2
1469492-2	45°	-	7 2
1469492-3	90°	-	7 2
1469492-7	270°	-	7 2
1469492-8	315°	-	7 2
1469492-9	9	-	7 2
1-1469492-1	0°	6	8
1-1469492-2	45°	6	8
1-1469492-3	90°	6	8
1-1469492-7	270°	6	8
1-1469492-8	315°	6	8
1-1469492-9	9	6	8
3-1469492-1	0°	-	7 2
3-1469492-2	45°	-	7 2
3-1469492-3	90°	-	7 2
3-1469492-7	270°	-	7 2
3-1469492-8	315°	-	7 2
3-1469492-9	9	-	7 2



- 1 MATERIAL: HOUSING: ZINC ALLOY DIE CASTING, ZAMAK 3; CONTACT: PHOSPHOR BRONZE
- 2 OBSOLETE PART NUMBER
- 3 HOLE FOR POSITIVE RETENTION SCREW.
- 4 DASH NUMBERS INDICATE KEY ORIENTATION (P/N 1469492-2 SHOWN ON DRAWING)
- 5 GROUND PAD Ø5mm ON BOTH SIDE OF PCB.
- 6 FINISH: SILVER OVER NICKEL OVER COPPER
- 7 CONTACT FINISH: 1.27µm MIN NICKEL ALL OVER
- 8 CONTACT FINISH: 3.81µm MINIMUM SILVER IN CONTACT AREA OVER 1.27µm MINIMUM NICKEL ALL OVER
- 9 GUIDE MODULE W/O KEYING GUIDE PIN 1469491 SERIES MUST BE ORIENTED TO PROVIDE PROPER ESD PERFORMANCE



7.25	1469492
DIM X ADJACENT TO TIER 1 OR TIER 2 ASSEMBLY	PART NO

'Y'	PRODUCT
2.5	TIER 1
2.25	TIER 2
1.50	TIER 2 (7-ROW)

THIS DRAWING IS A CONTROLLED DOCUMENT FOR TYCO ELECTRONICS CORPORATION IT IS SUBJECT TO CHANGE AND THE CONTROLLING ENGINEERING ORGANIZATION SHOULD BE CONTACTED FOR THE LATEST REVISION.

DIMENSIONS:	TOLERANCES UNLESS OTHERWISE SPECIFIED:	DWN R. TREA 24FEB2004	Tyco Electronics Harrisburg, PA 17105-3608
mm	0 PLC ±0.5	CHK B. PATERSON 24FEB2004	
	1 PLC ±0.13	APVD G. GRIFFITH 24FEB2004	
	2 PLC ±0.1	PRODUCT SPEC 108-2072	
	3 PLC ±0.01	APPLICATION SPEC 114-13056	NAME MULTIGIG GUIDE MODULE/STANDOFF, RIGHT ANGLE, 20.3mm, DAUGHTERCARD
	4 PLC ±0.0001	WEIGHT -	SIZE A2 CAGE CODE 00779 DRAWING NO C-1469492 RESTRICTED TO -
MATERIAL	FINISH	CUSTOMER DRAWING	SCALE 4:1 SHEET 1 OF 1 REV B1